



Contact information



Mail the Netherlands : sales@25crmo4.com
Mail France : info@outilworld.fr



Call the Netherlands : +31 (0) 224 54 44 44
Call France : +33 (0) 363 47 90 36



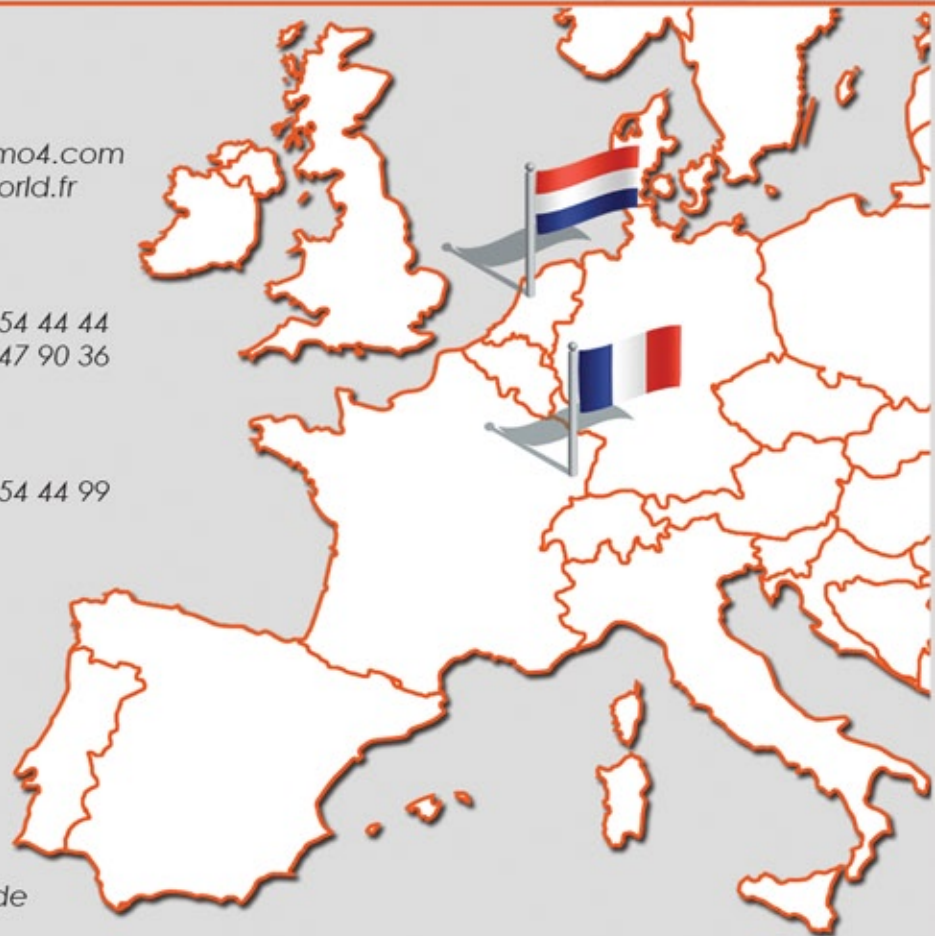
Fax the Netherlands : +31 (0) 224 54 44 99



Showroom and stock
Only in the Netherlands
Winkelerzand 3
1731 LR Winkel



Shipping
We ship all of our products worldwide
with DHL/TNT/ Schenker.
Track and trace possible





25crmo4 / 25cd4s tubes + SR

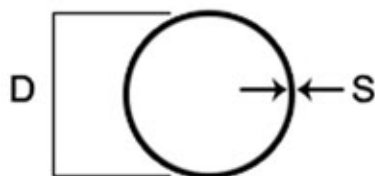
Seamless precision tubes according UNI6403/DIN2391.

Equivalent to 4130 Airhardened tubes.

ReH: min 700N/mm², RM: 800-1000N/mm²

A5: min 15%

Calculation weight / mtr.



$$\frac{(D - S) \times S \times 24,65}{1000}$$



Delivery from stock. Normally we have about 60 Ton in stock.
All tubes are oiled, free of burrs. Diameter, wall thickness
and certificate number are printed on the tube.

Productnumber	Type	Weight p/mtr.	Length tube	Price p/mtr.
39133003	12x1,5 mm.	0,39 kg/mtr	6 mtr	€ 3,95
39133004	15x1,5 mm.	0,50 kg/mtr	6 mtr	€ 4,75
39133005	18x1,0 mm.	0,42 kg/mtr	6 mtr	€ 4,50
39133006	18x1,5 mm.	0,61 kg/mtr	6 mtr	€ 5,75
39133010	20x1,5 mm.	0,70 kg/mtr	6 mtr	€ 6,80
39133012	22x1,5 mm.	0,76 kg/mtr	6 mtr	€ 5,95
39133013	22x2,0 mm.	0,99 kg/mtr	6 mtr	€ 6,25
39133025	25x1,5 mm.	0,88 kg/mtr	6 mtr	€ 6,95
39133026	25x2,0 mm.	1,13 kg/mtr	6 mtr	€ 7,95
39133015	30x1,5 mm.	1,05 kg/mtr	6 mtr	€ 7,75
39133020	30x2,0 mm.	1,40 kg/mtr	6 mtr	€ 9,50
39133027	28x1,5 mm.	0,98 kg/mtr	6 mtr	€ 7,95
39133028	28x2,0 mm.	1,28 kg/mtr	6 mtr	€ 8,25
39133030	32x2,0 mm.	1,50 kg/mtr	6 mtr	€ 9,95
39133033	35x1,5 mm.	1,24 kg/mtr	6 mtr	€ 10,25
39133035	35x2,0 mm.	1,63 kg/mtr	6 mtr	€ 12,50
39133036	35x3,0 mm.	2,37 kg/mtr	6 mtr	€ 15,75
39133038	38x2,5 mm.	2,19 kg/mtr	6 mtr	€ 16,95
39133039	40x1,5 mm.	1,42 kg/mtr	6 mtr	€ 13,25
39133040	40x2,0 mm.	1,90 kg/mtr	6 mtr	€ 12,95
39133043	45x2,5 mm.	2,62 kg/mtr	4 mtr	€ 15,95
39133044	48x2,5 mm.	2,80 kg/mtr	6 mtr	€ 16,50
39133046	50x2,0 mm.	2,37 kg/mtr	7 mtr	€ 15,75
39133069	70x2,5 mm.	4,16 kg/mtr	7 mtr	€ 24,95
	Certificate	-	per Idiameter per delivery € 24,50	

Order > 500 kg = special prices!!

- Prices / mtr excl. VAT
- Minimum order is 1 full length tube.
- Payment in advance, unless otherwise agreed.
- Delivery from Winkel (Holland) through whole Europe.



Inspection certification

In critical applications and special fasteners sometimes a certificate is required with regard to the identification of the material. It is then necessary that an inspection document (certificate) is presented to show that the supply meets the requirements.

The European standard EN 10204 provides an overview and descriptions of the types of documents that may be required when ordering metal products. Because the German DIN 50049 has been the standard for some time the content of the EN10204 certificate will be published as a revised version of the DIN 50049 certificate.



Packaging

All our tubes are specially wrapped with our wrapping machine. The tubes are protected against moisture and dirt.



Benders

At this moment Chassisshop offers 3 types of benders:

1 The model standard



Top quality but very affordable bender which is designed for do-it-yourself race car builders and small racecar factories. This standard model is afterward's expandable with an hydraulic-unit and cylinder.

2 The model Xtra

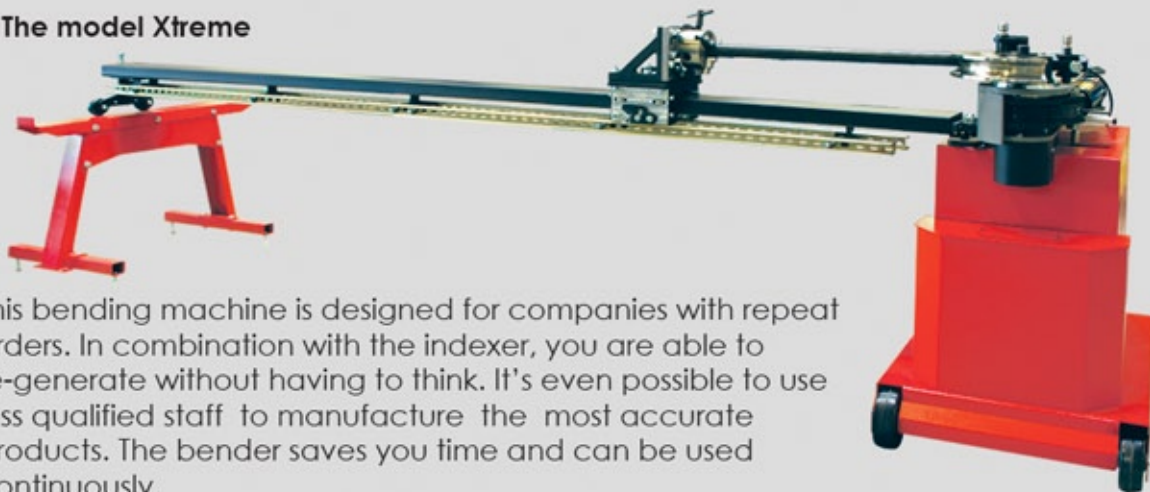


The model Xtra is essentially a super heavy duty version of the Model standard. A die locking mechanism was designed that helps bend thin wall tubing as well as very heavy wall tubing by preventing the die from relaxing when not bending. Springback is the number 1

cause of wrinkling thinwalled tubing. This model is available in two versions. Manual or hydraulic.



3 The model Xtreme



This bending machine is designed for companies with repeat orders. In combination with the indexer, you are able to re-generate without having to think. It's even possible to use less qualified staff to manufacture the most accurate products. The bender saves you time and can be used continuously.

Precision bending

All machines are delivered with a large degree indicator wheel. Accurate bending is simply a matter of watching the pointer until the degree of bend you desire is reached.



Speed



Dies can be changed in under 30 seconds. Bending times are between 30-60 seconds.

Quality



Rugged steel construction. Designed with durability and affordability in mind. All parts are 100% CNC machined.



Model standard

Designed by professionals for professionals!

- Easy and quick set-up. Just in 30 seconds.
- Affordable. Only for € 325,- (excl.diesets).
- Highly accurate. With a large degree indicator.
- Large capacity. This bender bends up to 50 mm. Chromoly tubes. (minimum wall thickness is 3mm)
- Professional, Long life warranty on breaking!
- 100% CNC machined.



GT-Bender standard manual

Without stand and diesets. Hydraulic is optional.

€ 325,-

14702100



GT-Bender Stand

Stable and heavy duty. Mountable on concrete floor.

€ 149,-

14702110



Hydrokit GT-Bender standard

Consisting of: adapter kit and hydraulic cilinder. Easily mounted to convert the manual into a hydraulic Version. (in combination with the powerpack)

€ 490,-

14702133



Power Pack + Accessories

(relais, pushbutton box, electric solenoid, hose and electric box)

€ 495,-

14702191



Model Xtra

- Bends tubes till 60mm and square tubes till 50 mm.
Tubes 50 mm and larger: minimum wall thickness must be 3 mm or more.
- Anti- springback mechanism.
- Extra heavy duty.
- The hydraulic swivel block rotates on the cilinders center axis thereby eliminating side load on the ram during bending. This greatly extends the life of the cylinder.
- A one piece steel ram yoke with quick disconnect pin is now incorporated as well.
- 100% CNC machined.



GT-Bender Xtra manual
Manual standard without stand and diesets.

€ 439,-
14703000

OR:



GT-Bender Xtra Hydraulic
Including hydraulic cilinder and adapterkit. Without stand and diesets.

€ 899,-
14703100



Stand
Very stable and extra heavy duty stand. Mountable on concrete floor.

€ 149,-
14703110



Hydrokit GT-Bender Xtra
Consisting of: adapter kit and hydraulic cilinder. Easily mounted to convert the manual into an hydraulic version. (in combination with the powerpack)

€ 490,-
14703135



Power Pack + Accessories
relais, pushbutton box, electric solenoid, hose and electric box

€ 495,-
14702191



Model X-treme



Model X-treme bender

- Bends up to 65 mm diameter and up to 3 mm wall thickness.
- Uses new type diesets. These are sold separately.
- 1 cylinder stroke bends 90 degrees.
- 2 cylinder strokes bends 180 degrees.
- Quick adjustable press mold.
- Digital readout of degrees up to one decimal.
- Includes built-in 1.5 hp. 200 bar electric / hydraulic pump.
- Includes memory program. You can enter the various degrees and Recall. The bender automatically stops exactly at your preset value.

€ 4399,-
14704000

This bending machine is designed for companies with repeating orders. In combination with the indexer, you are able to re-generate without having to think. It's even possible to use less qualified staff to manufacture the most accurate products. The bender saves you time and can be used continuously.



Model X-treme indexer



€ 1775,-
14704005

The indexer gives you the extra support you need when bending frequently. The indexer includes a 5" chuck to allow you to clamp the end of the tubing. The indexer is 3.5 meters long and has a measuring device over the entire length. The clamp is mounted on a turntable with 180 degrees angular spacing. Through 3 (supplied) movable stops, you can indicate exactly where the bend has to come. When you move the fixed tube towards the bender it will automatically click in the stop. So without marking, protractor and tape measure you can bend the tube exactly the way you want it.





Diesets



GT-Bender **standard** Diesets round

Number	Diameter	Radius	Minimal wall-thickness	Price ex. vat
14702140	20 mm	75 mm	1,5 mm	€ 165,-
14702142	22 mm	90 mm	1,5 mm	€ 195,-
14702145	25 mm	90 mm	1,5 mm	€ 195,-
14702148	28 mm	115 mm	1,5 mm	€ 275,-
14702150	30 mm	115 mm	1,5 mm	€ 275,-
14702151	32 mm	140 mm	1,5 mm	€ 299,-
14702152	35 mm	140 mm	1,5 mm	€ 315,-
14702154	38 mm	165 mm	1,5 mm	€ 325,-
14702155	40 mm	165 mm	2,0 mm	€ 335,-
14702160	45 mm	165 mm	2,5 mm	€ 355,-
14702162	50 mm	165 mm	3,0 mm	€ 390,-

Speed

Dies can be changed in under 30 seconds. Bending times are between 30-60 second. Steel dies eliminate the problems common with other manufacturers' aluminum dies, such as breakage and groove spreading when bending 4130 chromemoly tubing.

GT-Bender **standard** Diesets square

Number	Diameter	Radius	Minimal wall-thickness	Price ex. vat
14702210	20 mm	75 mm	2,0 mm	€ 195,-
14702215	25 mm	90 mm	2,0 mm	€ 199,-
14702220	30 mm	115 mm	2,0 mm	€ 315,-
14702230	40 mm	165 mm	2,0 mm	€ 335,-

Dieset GT-Bender Standard

Dieset, followbar, bolt, U- strap and degreepointer.



GT-Bender **Xtra** Diesets round

Number	Diameter	Radius	Minimal wall-thickness	Price ex. vat
14703140	20mm	75 mm	1,5 mm	€ 165,-
14703142	22mm	88,9 mm	1,5 mm	€ 195,-
14703145	25mm	90 mm	1,5 mm	€ 195,-
14703148	28mm	114,3 mm	1,5 mm	€ 275,-
14703150	30mm	115 mm	1,5 mm	€ 275,-
14703152	32mm	139,7 mm	1,5 mm	€ 299,-
14703155	35mm	139,7 mm	1,5 mm	€ 315,-
14703158	38mm	139,7 mm	2,0 mm	€ 315,-
14703160	40mm	165 mm	2,0 mm	€ 335,-
14703165	45mm	165 mm	2,5 mm	€ 349,-
14703170	50mm	165 mm	3,0 mm	€ 389,-

Dieset GT-Bender Xtra

Dieset, followbar, bolt, U- strap and degreepointer.



GT-Bender **Xtreme** Diesets round

Number	Diameter	Radius	Minimal wall-thickness	Price ex. vat
14704070	30mm	115 mm	1,5 mm	€ 335,-
14704090	40mm	165 mm	2,0 mm	€ 395,-
14704095	45 mm	165 mm	2,5 mm	€ 415,-

Dieset GT-Bender Xtreme

Dieset, followbar, bolt and U- strap.





Model standard



Model extra



Model Xtreme



Specifications

Definition	Topquality but affordable bender which is designed for do-it-yourself race car builders and small racecar factories.	The Model Xtra is essentially a super heavy duty version of the Model standard. Specially designed for professionals and racecar builders	Model Xtreme is just like the Xtra but especially for manufacturers. This bender is very easy to operate and can be fully adjusted for bending semi-automatic.
Manual / hydraulic	Manual/ hydraulic	Manual / hydraulic	Hydraulic
Anti-springback	No	Yes	Built-in mechanism
Minimum tube diameter	12,7 mm tube or square	12,7 mm tube or square	12,7 mm tube or square
Maximum tube diameter	50 mm tube 38 mm square	60 mm tube 50 mm square	60 mm tube 50 mm square
Minimum wall thickness	1,5 mm (up to 38 mm) tube 2,0 mm (40 and 45 mm) tube 3,0 mm (50 mm) tube 2,0 mm square	1,5 mm (up to 35 mm) tube 2,0 mm (38 <> 45mm) tube 3,0 mm (50 <> 60mm) tube 2,0 / 2,5 mm square	1,5 mm (up to 35 mm) tube 2,0 mm (38 <> 45mm) tube 3,0 mm (50 <> 60mm) tube 2,0 / 2,5 mm square
Maximum wall thickness	solid (up to 25 mm) tube 3,0 mm (28 <> 50 mm) tube 3,0 mm square	Solid (up to 38 mm) tube 6,0 mm (40 <> 50 mm) tube 3,0 mm (50 <> 60mm) tube 4,77 mm square	Solid (up to 38 mm) tube 6,0 mm (40 <> 50 mm) tube 3,0 mm (50 <> 60mm) tube 4,77 mm square
Minimum distance between bends	110 mm	110 mm	110 mm
Bends solid square	Up to 25 mm OD	Up to 38 mm OD	Up to 38 mm OD



Bender accessories

Bender cover

Cover for the hydraulic version of the GT-Bender standard and GT-Bender Xtra

€ 59,-

14702135



Hydraulic oil Hykrol 46 (5 ltr)

Only use this oil for your bender!
The Pump-wear with this oil is limited to a minimum and this ensures an extra long life.

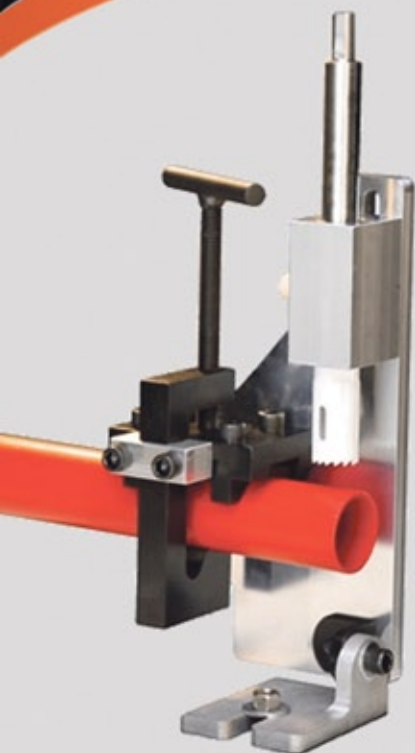
€ 16,95

14200491





Radius tools



Radiussaw TN-100

For use with an electric hand drill and hole saw in a vice.

- Capacity 20 till 50 mm.
- Adjustable in 15 seconds.
- Degree adjustable between 0 and 50 degrees.

€ 250,-

14702000



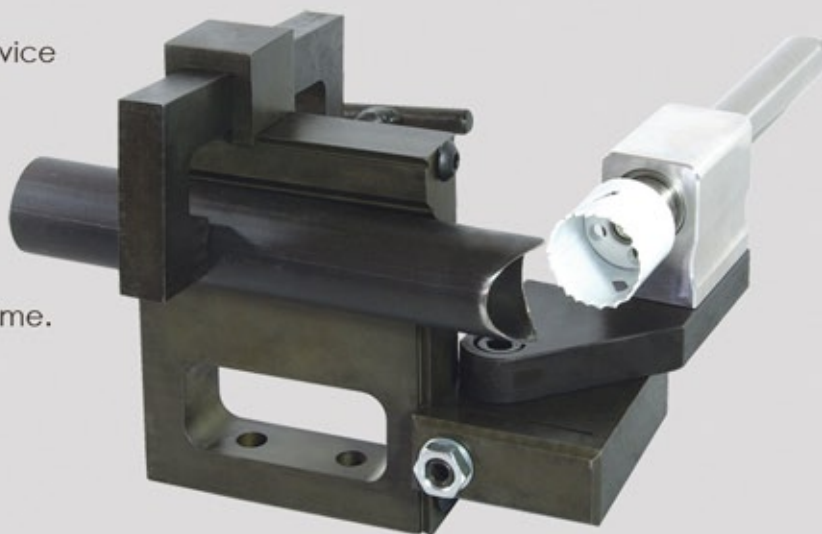
Radiussaw Profi

High quality radiussaw for use with a electric hand drill and hole saw in a vice

- Adjustable in 15 seconds.
- Degree adjustable between 0 and 50 degree.
- Capacity from 20 till 75 mm.
- Complete CNC machined.
- Heavy duty 30 mm solid steel frame.
- Adjustable tube clamp.
- Easy mounting and easy in use.

€ 299,-

14702030





Radius saw THE BEAST



Radius saw THE BEAST

This radius saw is called "The Beast" and with a good reason. This is the ultimate machine for cutting a radius in combination with hole saws. Excellent for straight, angle and offset radius sawing. Biggest advantage of the machine is that it can saw a radius in curves! To be used with a hand drill machine and standard bi-metal hole saws. Mount on solid and flat surface.

Cap.: Ø 19 mm (3/4") – Ø 76 mm (3")
Adjustable angle: 0° - 50°

€ 549,-

14702135



Hole saw Bi-metal Phantom

The Phantom Hole Saw has 4/6 variable cutting teeth. The positive angle of the teeth clear the material better for longer life and easier cutting. Cuts faster and smoother without much vibrations.



Number	Diameter	Cutting depth	Price ex. vat
12866620	20 mm	38 mm	€ 6,58
12866625	25 mm	38 mm	€ 8,29
12866630	30 mm	38 mm	€ 8,29
12866635	35 mm	38 mm	€ 9,76
12866640	40 mm	38 mm	€ 9,76
12866646	45 mm	38 mm	€ 10,74
12866651	50 mm	38 mm	€ 10,74
12866660	60 mm	38 mm	€ 12,23



3 year warranty



Radius Grinder CP100

The CP 100 pipe notcher is an innovative, strong machine designed by professionals. Suitable for daily use. Extra attention is put into quick and easy machine operation. Very fast adjustment and easy in maintenance. The strong clamping system ensures excellent results.

This machine comes with a 3 year warranty on the construction. When it comes to grinding, you are one step ahead with this machine!



€ 1.250,-
14713695

Brand:	ChassisParts
Type :	CP-100
Power supply:	400V, 3 phases
Sanding belt WxL:	100 x 2000 mm
Grinding Rolls Ø. :	20 mm - 76.1 mm
Motor:	3 kW
Weight:	159 kg.
Speed:	2800 rpm
Option	1: Pipe notcher
Option	2: Deburr table
Degrees pipe notcher:	30 ° - 90 ° (0 ° - 60 °)



Options

- Possibility to grind off center
- Strong clamping system
- Deburr support
- 2 residue bins
- 1 Hexagon key for setting machine
- Easy interchangeable roller system
- 1 x Roll 42.2 mm standard
- 1 x Sanding belt 100 x 2000 mm, grit 36
- Roll holder (8 rolls)



Roller wheels

Roller wheels including 2 bearings. (optional)



Number	Diameter tube	Price
14713710	25 mm	€ 59,00
14713715	30 mm	€ 59,00
14713720	35 mm	€ 62,00
14713725	40 mm	€ 62,00
14713730	45 mm	€ 65,00
14713735	50 mm	€ 73,00

Sanding belts

100x2000 mm ceramic bonded abrasive belts, grit 36. For the best and fastest grinding results.



€ 160,- box 10 pieces

14713690



Lockfast quick release fasteners

Specially designed for racing and aircraft industries for mounting panels, bodywork, dashboards, fenders, bumpers, firewall etc. etc. This system ensures you a very solid rattling free connection. Within seconds you can mount- or dismount the complete car, motor or anything else you're doing from its bodywork or plating.



Self eject slotted buttons

Made from electrolytic galvanized steel. You can mount this button on the product with blind rivets. Mostly these buttons are not mounted so cleaning is easier and you can see the welding plate. Button complete with spring, like the picture is showing.

39132205

Quantity	Price ex. vat
1 - 49	€ 2,25 p/s
50 - 99	€ 1,80 p/s
100 or more	€ 1,50 p/s



Welding plate standard

Made from very good weldable steel. You can easily bend this plate in a vice or folding machine to create the best angle for mounting your material. You can also shorten this or create a radius for several solutions. Including mounted spring.

39132210

Quantity	Price ex. vat
1 - 49	€ 1,50 p/s
50 - 99	€ 1,25 p/s
100 or more	€ 1,00 p/s





Welding plate light model

Made from very good weldable steel. The solution for a light racingcar. Including mounted spring.

39132215

Quantity	Price ex. vat
1 - 49	€ 1,50 p/s
50 - 99	€ 1,25 p/s
100 or more	€ 1,00 p/s



Welding plate punch

Made from electrolytic galvanized steel with a sharp pointer to mark your bodywork before drilling the hole. Use always a stepdrill like 12825410 so you don't get sharp burrs and have a good clean and equal hole

€ 2,85

39132220



Stepdrill

Made for drilling holes in Aluminum, Steel, Plastic, Polyester, Carbon and Kevlar. You need to drill 16 mm holes in your material to use the buttons. With this drill you can easily drill without burrs and always get a clean and equal hole.

€ 14,95

12825410

Panel spring adjuster

For years there was never the right tool to adjust your panel button springs. Push on them with a screwdriver and it would deform and weaken the spring, use a pair of pliers and again you would deform and weaken the spring. Even worse, it could break the spring and you have to drill it out and put in another. Lockfast's panel spring adjuster is the only right tool for the job. It pulls the spring evenly like a panel button. The panel spring adjuster is quick and easy to use, lightweight, and durable. This is a must have tool for any racing tool box.



€ 45,-

39132225



Beadingmachine

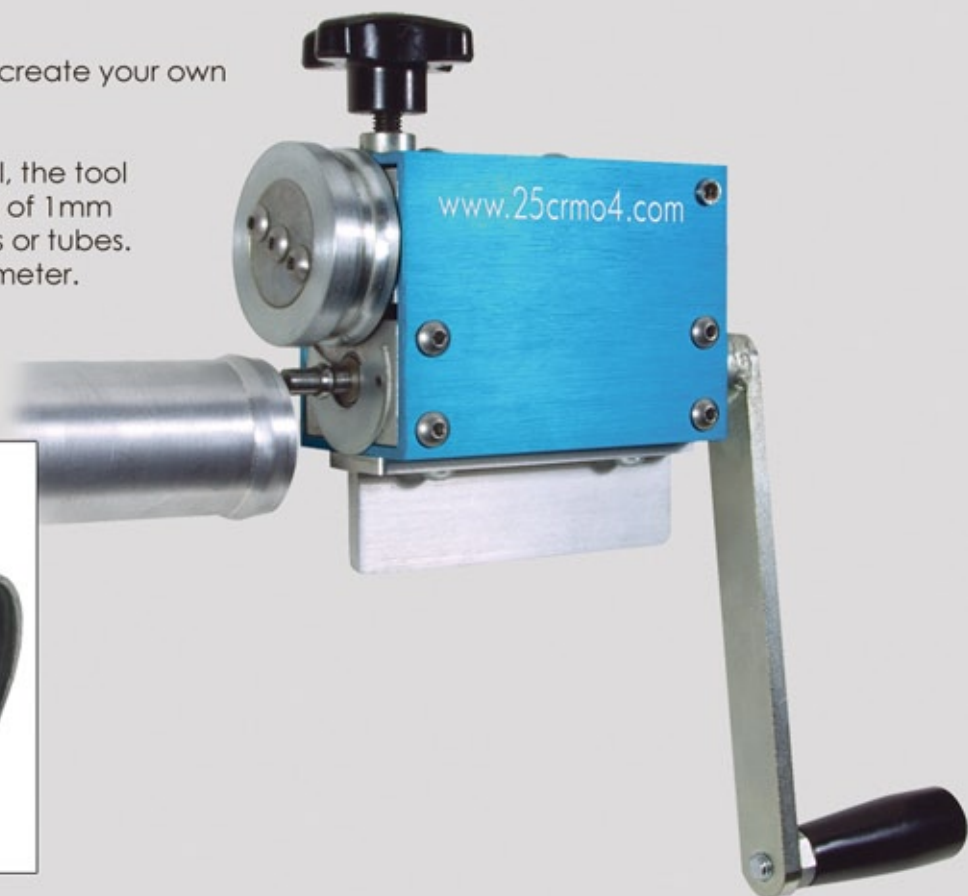
Handbeadingmachine

Essential for every mechanic to create your own air-, water- and oilhose!

A compact and very clever tool, the tool quickly and easily forms a bead of 1 mm on aluminium and copper pipes or tubes. From 12.7 mm to 100 mm in diameter.

€ 299,-

14705000



Aluminum tubes

Aluminum tubes

(6060/T6) Length is 3 meter.



Number	Diameter	Wall thickness	Price ex. VAT
39134030	30mm	1,5 mm	€ 9,50 length 3 mtr.
39134035	35mm	1,5 mm	€ 11,25 length 3 mtr.
39134030	38mm	1,5 mm	€ 12,50 length 3 mtr.



LB Chromoly steel series rod ends 2-piece

The ultimate in performance. These heavy duty rod ends are commonly used for wheel suspension because of their strength and durability. XM Series rod ends are completely self-sealing and self-lubricating because of their Teflon/Kevlar injection molded lining that keeps dirt and debris out...



BALL

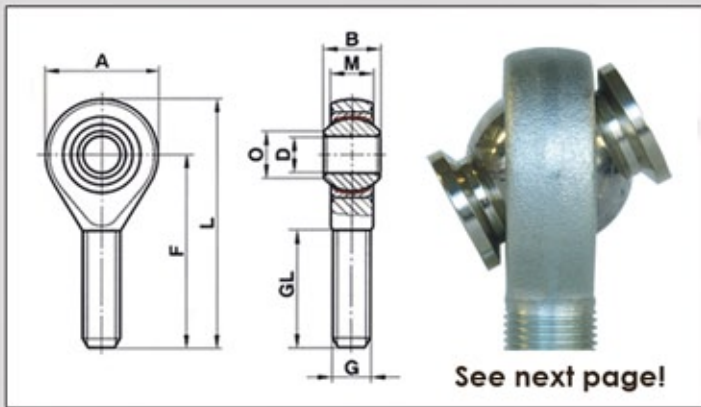
- 52100 Bearing Steel
- Heat Treated
- Hard Chrome Plated
- Precision cut

BODY

- Chromoly Steel
- Heat Treated
- Protective Coated for Corrosion Resistance

RACE

- Teflon/Kevlar
- Self-Lubricating
- Self-Sealing



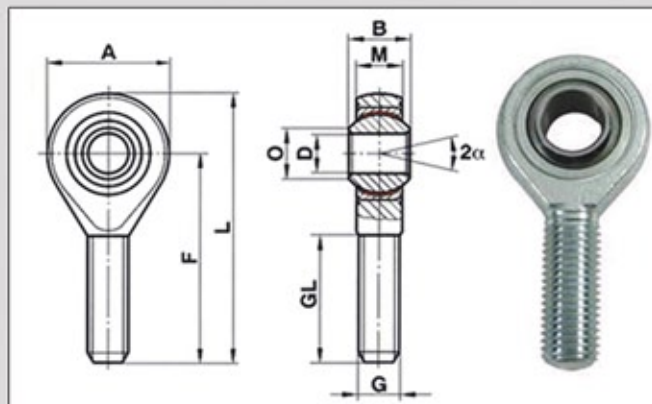
Number	Right thread									GL	Static Load Co kN	1 - 9 Price ex. vat	10 - 24 Price ex. vat	25 or more Price ex. vat
	D	B	M	A	F	L	O	G						
10640105	6	9	7	20	37	46	10	M6	22	11,2	€ 5,88	€ 4,12	€ 3,53	
10640110	8	12,8	9	24	42	54	10,4	M8	25	19,5	€ 7,20	€ 5,04	€ 4,31	
10640115	10	13,8	10,4	28	48	62	13,2	M10	29	31,7	€ 9,15	€ 6,40	€ 5,49	
10640120	12	15,8	11,9	32	54	70	15,7	M12	33	48,8	€ 10,90	€ 7,63	€ 6,54	
10640125	12	15,8	11,9	32	54	70	15,7	M12x1.25	33	48,8	€ 10,90	€ 7,63	€ 6,54	
10640130	12	15,8	11,9	32	54	70	15,7	M12x1.50	33	48,8	€ 10,90	€ 7,63	€ 6,54	
10640135	14	18,8	13,2	36	60	78	16,6	M14	36	65,8	€ 12,20	€ 8,55	€ 7,32	
10640140	14	18,8	13,2	36	60	78	16,6	M14x1.50	36	65,8	€ 12,20	€ 8,55	€ 7,32	
10640145	16	20,8	14,9	42	66	87	20	M16	37	80	€ 13,51	€ 9,45	€ 8,10	
10640150	16	20,8	14,9	42	66	87	20	M16x1.50	37	80	€ 13,51	€ 9,45	€ 8,10	
10640155	18	22,8	16,4	46	72	95	22,4	M18x1.50	42,5	95	€ 16,34	€ 11,44	€ 9,81	
10640160	20	24,8	17,8	50	78	103	24,6	M20x1.50	47	107	€ 22,67	€ 15,87	€ 13,60	
Number	Left thread									GL	Static Load Co kN	1 - 9 Price ex. vat	10 - 24 Price ex. vat	25 or more Price ex. vat
	D	B	M	A	F	L	O	G						
10640205	6	9	7	20	37	46	10	M6	22	11,2	€ 5,88	€ 4,12	€ 3,53	
10640210	8	12,8	9	24	42	54	10,4	M8	25	19,5	€ 7,20	€ 5,04	€ 4,31	
10640215	10	13,8	10,4	28	48	62	13,2	M10	29	31,7	€ 9,15	€ 6,40	€ 5,49	
10640220	12	15,8	11,9	32	54	70	15,7	M12	33	48,8	€ 10,90	€ 7,63	€ 6,54	
10640225	12	15,8	11,9	32	54	70	15,7	M12x1.25	33	48,8	€ 10,90	€ 7,63	€ 6,54	
10640230	12	15,8	11,9	32	54	70	15,7	M12x1.50	33	48,8	€ 10,90	€ 7,63	€ 6,54	
10640235	14	18,8	13,2	36	60	78	16,6	M14	36	65,8	€ 12,20	€ 8,55	€ 7,32	
10640240	14	18,8	13,2	36	60	78	16,6	M14x1.50	36	65,8	€ 12,20	€ 8,55	€ 7,32	
10640245	16	20,8	14,9	42	66	87	20	M16	37	80	€ 13,51	€ 9,45	€ 8,10	
10640250	16	20,8	14,9	42	66	87	20	M16x1.50	37	80	€ 13,51	€ 9,45	€ 8,10	
10640255	18	22,8	16,4	46	72	95	22,4	M18x1.50	42,5	95	€ 16,34	€ 11,44	€ 9,81	
10640260	20	24,8	17,8	50	78	103	24,6	M20x1.50	47	107	€ 22,67	€ 15,87	€ 13,60	



Rod ends Heavy Duty

Rod ends made from forged 42CRMO4 Cromoly steel. Innerring is made from ballbearing steel 100 cr6, polished and hardened.

- PTFE insert.
- GAXSW (Maintenance free).
- Inner thread on request!

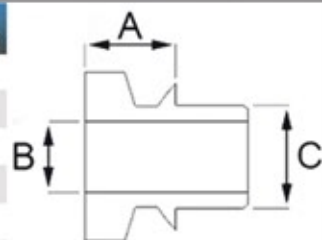


Number	Size	Right thread								Static Load Co kN	Dynamic Load Co kN	Price ex. vat
		B	M	A	F	L	O	G	GL			
10641308	8	12	9	24	42	54	10,4	M8	25	19,5	16,7	€ 13,75
10641310	10	14	10,5	28	48	62	12,9	M10	29	31,4	23,4	€ 14,75
10641312	12	16	12	32	54	70	15,4	M12	33	42	32	€ 18,50
10641314	14	19	13,5	36	60	78	16,8	M14	38	57	42	€ 22,00
10641316	16	21	15	42	66	87	19,3	M16	40	67	52,5	€ 29,75
10641318	18	23	16,5	46	72	95	21,8	M18x1,5	44	81,5	64	€ 36,00
10641320	20	25	18	50	78	103	24,3	M20x1,5	47	93,5	78	€ 38,50

Number	Size	Left thread								Static Load Co kN	Dynamic Load Co kN	Price ex. vat
		B	M	A	F	L	O	G	GL			
10641408	8	12	9	24	42	54	10,4	M8	25	19,5	16,7	€ 13,75
10641410	10	14	10,5	28	48	62	12,9	M10	29	31,4	23,4	€ 14,75
10641412	12	16	12	32	54	70	15,4	M12	33	42	32	€ 18,50
10641414	14	19	13,5	36	60	78	16,8	M14	38	57	42	€ 22,00
10641416	16	21	15	42	66	87	19,3	M16	40	67	52,5	€ 29,75
10641418	18	23	16,5	46	72	95	21,8	M18x1,5	44	81,5	64	€ 36,00
10641420	20	25	18	50	78	103	24,3	M20x1,5	47	93,5	78	€ 38,50

Misalignment bushings

Number	Size C	Size B	Size A	Price ex. vat
10640800	10 mm	8 mm	5 mm	€ 2,61
10640805	12 mm	10 mm	7 mm	€ 2,95
10640815	14 mm	10 mm	5 mm	€ 3,12
10640825	16 mm	12 mm	5 mm	€ 3,29
10640830	18 mm	14 mm	8 mm	€ 4,63
10640840	20 mm	16 mm	8 mm	€ 5,11
10640835	3/4"	16 mm	8 mm	€ 5,11

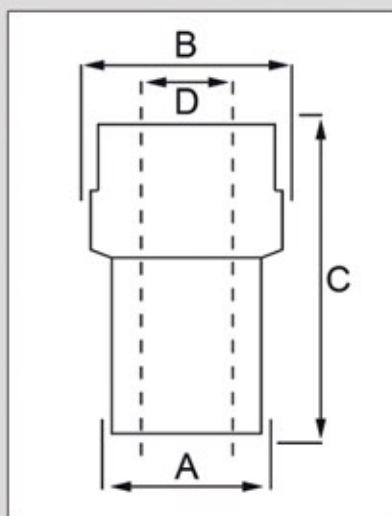




Tube adapters

Welding bushings for rod ends.
Made from steel 52 with 2 flat sides for a wrench.

Left handed version has a groove for easy recognizing.



Right thread

Productnumber	Thread(D)	Length(C)	Max. diam.(B)	Min. diam.(A)	Wrenchsize	Price ex. vat
10641500	M10	30	20	17	17	€ 6,25
10641505	M12	35	25	22	19	€ 6,50
10641510	M14	35	30	27	26	€ 6,75
10641515	M16	40	30	26	26	€ 6,95
10641520	M18x1.5	40	35	30	26	€ 9,25
10641525	M20x1.5	40	35	30	26	€ 9,25

Left thread

Productnumber	Thread(D)	Length(C)	Max. diam.(B)	Min. diam.(A)	Wrenchsize	Price ex. vat
10641530	M10	30	20	17	17	€ 6,25
10641535	M12	35	25	22	19	€ 6,50
10641540	M14	35	30	27	26	€ 6,75
10641545	M16	40	30	26	26	€ 6,95
10641550	M18x1.5	40	35	30	26	€ 9,25
10641555	M20x1.5	40	35	30	26	€ 9,25





Tube adapters light

Made from Crmo steel.

Left handed version has a groove for easy recognizing.



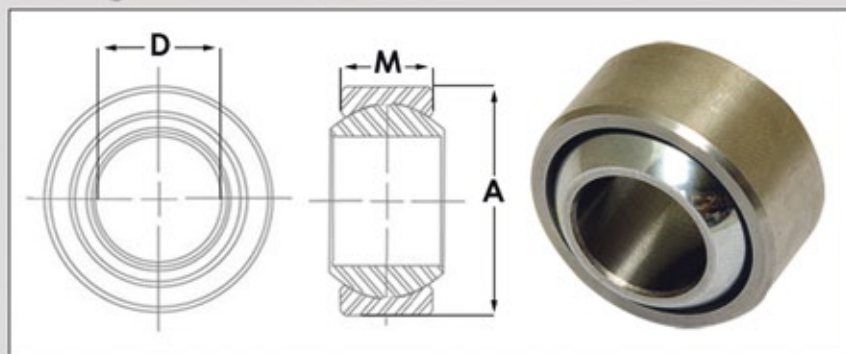
Number	1 - 9	10 - 24	25 or more	Size (A)	Thread (B)
Right thread					
10640405	€ 4,79	€ 3,36	€ 2,87	15x1,5	M6
10640410	€ 4,79	€ 3,36	€ 2,87	15x1,5	M8
10640415	€ 5,23	€ 3,67	€ 3,13	20x1,5	M8
10640420	€ 5,23	€ 3,67	€ 3,13	20x1,5	M10
10640425	€ 5,66	€ 3,96	€ 3,41	25x1,5	M10
10640430	€ 4,97	€ 3,47	€ 2,99	20x1,5	M12
10640435	€ 6,54	€ 4,57	€ 3,93	25x1,5	M12
10640440	€ 5,23	€ 3,67	€ 3,13	20x1,5	M12x1.25
10640445	€ 6,54	€ 4,57	€ 3,93	25x1,5	M12x1.25
10640450	€ 5,23	€ 3,67	€ 3,13	20x1,5	M12x1.5
10640455	€ 6,54	€ 4,57	€ 3,93	25x1,5	M12x1.5
10640460	€ 6,54	€ 4,57	€ 3,93	25x1,5	M14
10640465	€ 7,84	€ 5,49	€ 4,71	30x1,5	M14
10640470	€ 6,54	€ 4,57	€ 3,93	25x1,5	M14x1.5
10640475	€ 7,84	€ 5,49	€ 4,71	30x1,5	M14x1.5
10640480	€ 7,84	€ 5,49	€ 4,71	30x1,5	M16
10640485	€ 7,46	€ 5,22	€ 4,47	30x2,0	M16
10640490	€ 8,72	€ 6,11	€ 5,23	35x1,5	M16
10640495	€ 8,72	€ 6,11	€ 5,23	35x2,0	M16
10640500	€ 7,84	€ 5,49	€ 4,71	30x1,5	M16x1.5
10640505	€ 7,84	€ 5,49	€ 4,71	30x2,0	M16x1.5
10640510	€ 8,72	€ 6,11	€ 5,23	35x1,5	M16x1.5
10640515	€ 8,72	€ 6,11	€ 5,23	35x2,0	M16x1.5
10640520	€ 8,72	€ 6,11	€ 5,23	35x2,0	M18x1.5
10640525	€ 8,72	€ 6,11	€ 5,23	35x2,0	M20x1.5
Left thread					
10640605	€ 4,79	€ 3,36	€ 2,87	15x1,5	M6
10640610	€ 4,79	€ 3,36	€ 2,87	15x1,5	M8
10640615	€ 5,23	€ 3,67	€ 3,13	20x1,5	M8
10640620	€ 5,23	€ 3,67	€ 3,13	20x1,5	M10
10640625	€ 5,66	€ 3,96	€ 3,41	25x1,5	M10
10640630	€ 4,97	€ 3,47	€ 2,99	20x1,5	M12
10640635	€ 6,54	€ 4,57	€ 3,93	25x1,5	M12
10640640	€ 5,23	€ 3,67	€ 3,13	20x1,5	M12x1.25
10640645	€ 6,54	€ 4,57	€ 3,93	25x1,5	M12x1.25
10640650	€ 5,23	€ 3,67	€ 3,13	20x1,5	M12x1.5
10640655	€ 6,54	€ 4,57	€ 3,93	25x1,5	M12x1.5
10640660	€ 6,54	€ 4,57	€ 3,93	25x1,5	M14
10640665	€ 7,84	€ 5,49	€ 4,71	30x1,5	M14
10640670	€ 6,54	€ 4,57	€ 3,93	25x1,5	M14x1.5
10640675	€ 7,84	€ 5,49	€ 4,71	30x1,5	M14x1.5
10640680	€ 7,84	€ 5,49	€ 4,71	30x1,5	M16
10640685	€ 7,46	€ 5,22	€ 4,47	30x2,0	M16
10640690	€ 8,72	€ 6,11	€ 5,23	35x1,5	M16
10640695	€ 8,72	€ 6,11	€ 5,23	35x2,0	M16
10640700	€ 7,84	€ 5,49	€ 4,71	30x1,5	M16x1.5
10640705	€ 7,84	€ 5,49	€ 4,71	30x2,0	M16x1.5
10640710	€ 8,72	€ 6,11	€ 5,23	35x1,5	M16x1.5
10640715	€ 8,72	€ 6,11	€ 5,23	35x2,0	M16x1.5
10640720	€ 8,72	€ 6,11	€ 5,23	35x2,0	M18x1.5
10640725	€ 8,72	€ 6,11	€ 5,23	35x2,0	M20x1.5



Spherical bearings



The best choice in traditional spherical bearings. Very well priced. Made from CrMo steel with self-lubricating Teflon liner.



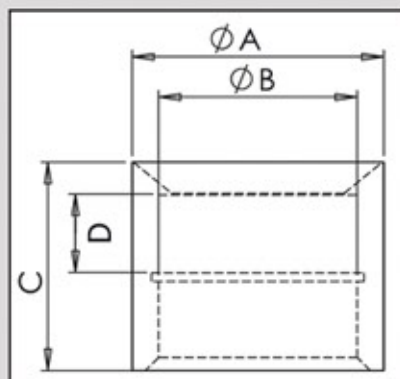
Spherical bearings

Productnumber	Diameter ID. mm (D)	Diameter OD. mm. (A)	width mm. OD ID (M)	1 - 9 Price ex. VAT	10 - 24 Price ex. VAT	25 or more Price ex. VAT
10641230	10	22	10,5	€ 7,41	€ 5,28	€ 4,40
10641235	12	26	12	€ 8,29	€ 5,89	€ 4,91
10641240	14	29	15	€ 9,26	€ 6,67	€ 5,56
10641245	16	32	15	€ 10,90	€ 7,76	€ 6,47
10641250	18	35	16,5	€ 14,16	€ 10,04	€ 8,38
10641255	20	40	18	€ 16,99	€ 12,09	€ 10,08

Weldingcups

Made from crmo steel.

Number	Type	A	B	C	D	1 - 9 Price ex. VAT	10 - 24 Price ex. VAT	25 or more Price ex. VAT
110641775	10	28 mm	22 mm	30 mm	10,5 mm	€ 4,99	€ 3,54	€ 2,95
10641780	12	34 mm	26 mm	32 mm	12 mm	€ 6,11	€ 4,32	€ 3,61
10641785	14	37 mm	29 mm	33,5 mm	15 mm	€ 7,21	€ 5,11	€ 4,26
10641790	16	40 mm	32 mm	35 mm	15 mm	€ 8,06	€ 5,72	€ 4,77
10641795	18	43 mm	35 mm	35 mm	16,5 mm	€ 9,15	€ 6,50	€ 5,43
10641800	20	48 mm	40 mm	35 mm	18 mm	€ 10,46	€ 7,42	€ 6,19





Half nuts ELVZ and Rubber- caps

Half nuts ELVZ

Number	Thread	Total height	Wrenchsize	Prijs ex. vat
10106310	M10 right	5 mm	17	€ 1,00
10106312	M12 right	6 mm	19	€ 1,25
10106314	M14 right	7 mm	22	€ 1,50
10106416	M16 right	8 mm	24	€ 1,75
10106418	M18x1.5 right	9 mm	27	€ 1,95
10106420	M20x1.5 right	10 mm	30	€ 2,25
10106510	M10 left	5 mm	17	€ 1,10
10106512	M12 left	6 mm	19	€ 1,35
10106514	M14 left	7 mm	22	€ 1,65
10106316	M16 left	8 mm	24	€ 1,85
10106318	M18x1.5 left	9 mm	27	€ 2,25
10106320	M20x1.5 left	10 mm	30	€ 2,50



Rubber- caps

Productnumber	Type	Size	Price ex. vat
10641382	Type 2	for M10 and M12	€ 6,25
10641383	Type 3	for M14 up to M18	€ 7,25
10641384	Type 4	for M20	€ 8,75





Plastics

Nylon bar 1 meter

Productnumber	Diameter	Price ex.vat
11275010	10 mm	€ 2,26
11275016	16 mm	€ 5,50
11275020	20 mm	€ 7,76
11275025	25 mm	€ 12,00
11275035	35 mm	€ 24,76
11275040	40 mm	€ 30,38
11275050	50 mm	€ 57,76
11275060	60 mm	€ 83,40
11275070	70 mm	€ 98,38
11275090	90 mm	€ 147,13
11275150	150 mm	€ 407,00

Nylon rod with very good mechanical properties. This material combines a very good tensile strength with a good abrasion, toughness. This material is approved for working temperatures till 100°C. The disadvantage of nylon is that it holds water so it will stretch out a bit. So don't use this for rotating parts



POM-C bar 1 meter

POM-C hardly holds any water and is shockproof. A very good strength and chemical resistance. Approved for working temperatures from -40° till 90°C. Also very good machining.

Productnumber	Diameter	Price ex.vat
11278020	20 mm	€ 8,00
11278030	30 mm	€ 17,60
11278040	40 mm	€ 31,40
11278050	50 mm	€ 48,80
11278060	60 mm	€ 70,10
11278100	100 mm	€ 194,50



Plastic sheet PE300

Application: fenders, shielding, plating etc.

Number	Size	Thickness	Colour	Price ex. VAT
13832521	1000x2000 mm	1 mm	White	€ 15,52
13832522	1000x2000 mm	2 mm	White	€ 31,04
13832523	1000x2000 mm	3 mm	White	€ 42,72
13832510	1000x2000 mm	1 mm	Black	€ 15,52
13832511	1000x2000 mm	2 mm	Black	€ 31,04
13832512	1000x2000 mm	3 mm	Black	€ 42,72



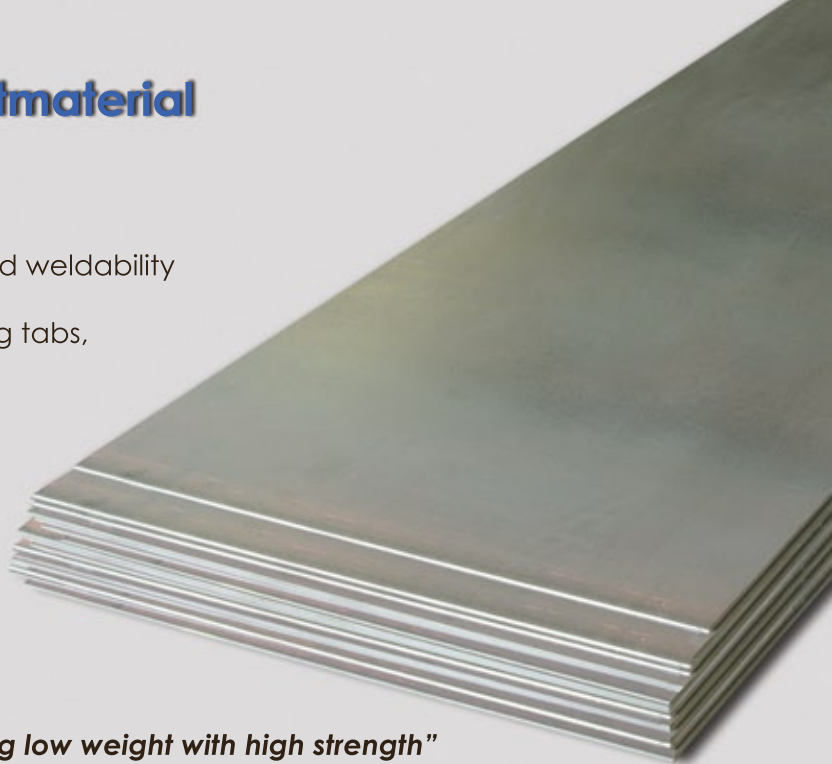
Sheetmaterial

Steelsheet Domex

Domex = equal to Cmro steel

High strength, excellent formability and good weldability

Application: Brackets for suspension, welding tabs, reinforcement brackets or other extreme heavy duty solutions.



"Combining low weight with high strength"

Productnumber	Size	Thickness	Tensile strenght	Price ex. vat
39132990	500x1250 mm	1 mm	1000 N/mm2	€ 19,00
39132990	500x1250 mm	1,5 mm	1000 N/mm2	€ 24,50
39132905	600x1030 mm	2 mm	700 N/mm2	€ 29,00
39132910	500x1250 mm	3 mm	700 N/mm2	€ 45,00
39132915	500x1250 mm	4 mm	700 N/mm2	€ 59,00
39132920	500x1500 mm	5 mm	700 N/mm2	€ 89,00

Aluminium sheet

Application: floorplate, firewall, engine protection etc.

Cannot be delivered by our forwarder. Can only be collected by the customer at our warehouse

Productnumber	Size	Thickness	Tensile strenght	Price ex. vat
13832530	1250x2500 mm	1 mm	Standard	€ 47,-
13832540	1250x2500 mm	2 mm	Standard	€ 94,-
13832550	1000x2000 mm	2 mm	Though	€ 97,-

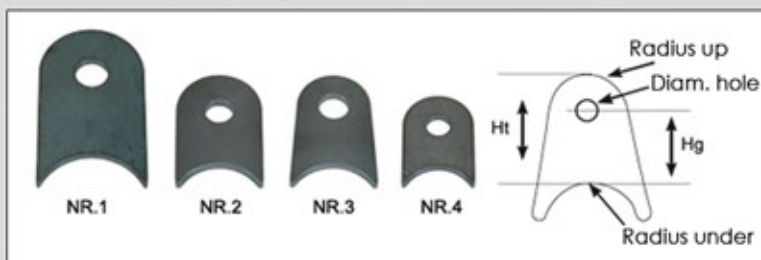




Welding brackets

Brackets with Radius

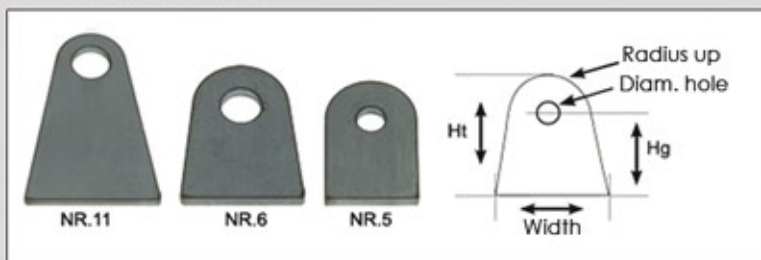
Material: Domex 700



Number	Type	Radius up	Radius under	Ht	Hg	Diam. hole	Thickness	Price per 20 ex. vat
39132005	NR.1	20,0 mm	20,0 mm	55 mm	35 mm	12 mm	4 mm	€ 28,80
39132010	NR.2	15,0 mm	15,0 mm	35 mm	20 mm	10 mm	4 mm	€ 22,20
39132015	NR.3	15,0 mm	12,5 mm	35 mm	23 mm	10 mm	4 mm	€ 21,60
39132020	NR.4	12,5 mm	12,5 mm	30 mm	18 mm	8 mm	4 mm	€ 18,60

Brackets straight

Material: Domex 700



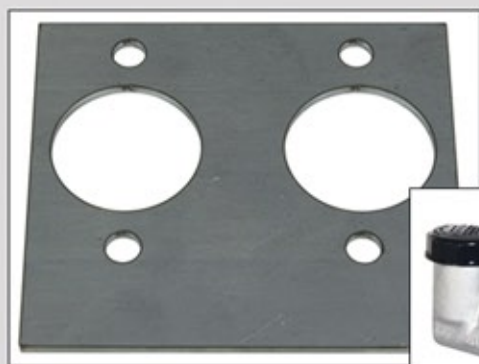
Number	Type	Width	Ht	Hg	Diameter hole	Radius up	Thickness	Price per 20 ex. vat
39132055	NR.11	35 mm	50 mm	42 mm	8 mm	15 mm	3 mm	€ 23,40
39132030	NR.6	25 mm	32 mm	22 mm	8 mm	10 mm	3 mm	€ 16,50
39132025	NR.5	20 mm	30 mm	20 mm	6 mm	7,5 mm	3 mm	€ 21,-

Reinforcement brackets

Material: Domex 700



Number	Type	Width	Hight	Thickness	Price ex. vat
39132050	NR.10	50 mm	50 mm	3 mm	€ 34,20 (20 pcs)
39132070	NR.14	75 mm	75 mm	4 mm	€ 40,80 (20 pcs)
39132075	NR.15	100 mm	100 mm	5 mm	€ 36,60 (10 pcs)



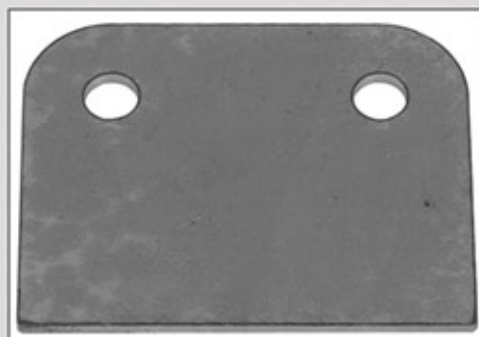
Brake pump bracket

Brake pump bracket made from Domex 430 4 mm.



€ 4,08

39132110



Standard bracket NR.7

All purpose bracket for several applications. Height 40 mm, Width 50 mm, thickness 2 mm, height till center of hole 30 mm, diameter hole 6 mm. Price / 20 pcs. ex. VAT

€ 29,-

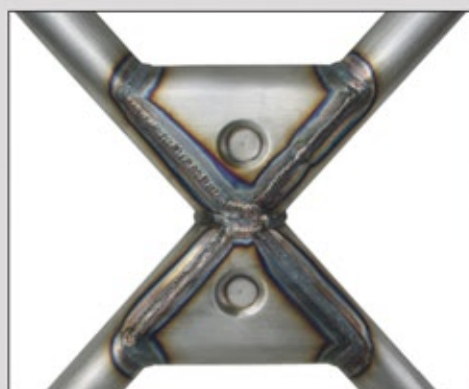
39132110

Rollcage gussets according FIA regulations



Suitable for \varnothing 40mm tubes.

Number	Angle	Price ex. vat
39131005	30° (door)	€ 3,75
39131010	45°	€ 3,25
39131015	60°	€ 3,75
39131020	90°	€ 3,50





Welding

Mig welding:

Welding wire for MIG welding (SG-CrMo1)
Protection gas is standard mix (80/20 or 85/15)

- 0,8 mm welding wire CrMo1
- Coil = 15kg
- Coil diameter 300 mm

€ 134,25

12010070

- 0,8 mm weldingwire CrMo1
- Coil = 5kg
- Coil diameter 200 mm

€ 79,-

12010075



Weldingrods for TIG welding

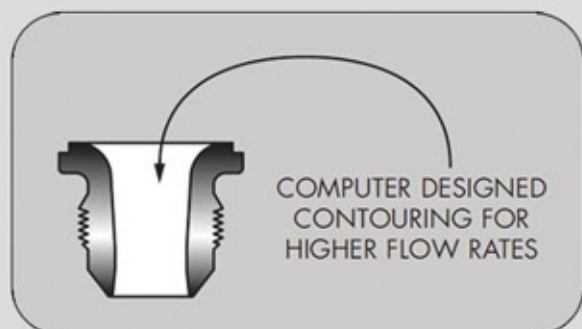
Number	Material	Diameter	Price ex. vat
11810645	crmo	1,6 mm	€ 12,60 / kg
11810650	crmo	2,0 mm	€ 11,60 / kg
11810610	alu	2,0 mm	€ 14,29 / kg





High flow Weld fitting aluminum

Number	Definition	Size	Price ex. vat
11769005	Alu. weld fitting 6	9/16"	€ 5,50
11769010	Alu. weld fitting 8	3/4"	€ 6,95
11769015	Alu. weld fitting 10	7/8"	€ 7,75
11769020	Alu. weld fitting 12	1. 1/16"	€ 8,85



Welding sockets

Steel

Number	Size	Price ex. vat
11737010	1/8"	€ 0,85
11737020	1/4"	€ 0,85
11737030	3/8"	€ 0,85
11737040	1/2"	€ 0,95
11737060	3/4"	€ 0,95
11737080	1"	€ 1,99

Aluminium

Number	Size	Price ex. vat
11769100	1/8"	€ 2,60
11769105	1/4"	€ 2,80
11769110	3/8"	€ 3,60
11769115	1/2"	€ 3,70
11769120	3/4"	€ 3,95
11769125	1"	€ 4,50





Number	Thread	Price ex. vat
27160705	M5 right	€ 2,59
27160706	M6 right	€ 2,77
27160708	M8 right	€ 3,73
27160710	M10 right	€ 5,11
27160712	M12 right	€ 6,93
27160805	M5 left	€ 2,88
27160806	M6 left	€ 3,08
27160808	M8 left	€ 4,44
27160810	M10 left	€ 5,73

Balljoints with locking clip



Number	Thread	Price ex. vat
25690106	6,4 mm	€ 0,55
25690108	7,9 mm	€ 0,55
25690110	9,5 mm	€ 0,55
25690112	12,0 mm	€ 0,65
25690115	14,3 mm	€ 0,65
25690116	15,9 mm	€ 0,75
25690118	17,5 mm	€ 0,75
25690120	19,0 mm	€ 0,75
25690122	22,2 mm	€ 0,83
25690125	25,4 mm	€ 1,05
25690128	27,0 mm	€ 1,05
25690132	31,8 mm	€ 1,40
25690135	34,9 mm	€ 1,53
25690138	38,1 mm	€ 1,68
25690145	44,5 mm	€ 1,88
25690150	51,0 mm	€ 2,10
25690160	60,0 mm	€ 2,33

Rubber tube clamps





Rivet nut hand tool M4-M10

Patented hand tool set for installing open end rivet nuts in: steel, A2 stainless steel (up to M8), aluminium and brass.

This "spin" action tool (different from the conventional hand plier) is compact and versatile. Ease of use in applications having limited access - simply turn the knob until correct installation has been achieved. Delivered in a durable polypropylene case.

Capacity steel, aluminium and brass: M4 - M10

Capacity RVS A2: M4 - M8



€ 98,00

10353405



Must have!!!



Rivet nuts

Optional assorted box rivet nuts M5- M10, steel, aluminium.

€ 35,00

10340620

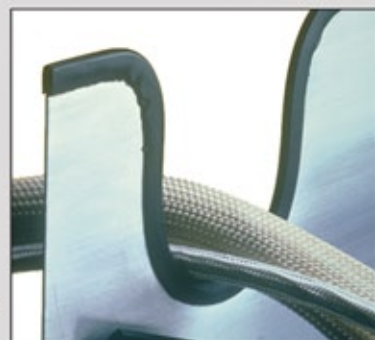
Rayrim

Rayrim edgeprotection

Raychem Rayrim edge protecting material is an extruded strip internally coated with a heat activated adhesive, so that by heating, the profile changes from "V" to "U" section and the adhesive bonds to the substrate profile.

The flexible nature of the product allows application to both internal and external radii, as well as straight edges. Continuous operating temperature is between -55°C to +80°C. The product provides protection under the most severe conditions.

- Flexible
- Selfadhesive
- Operating temperature range: -55 °C + 80 °C



Number	A(max)	B(max)	C(max)	D(max)	E(max)	Packaging	Color	Price ex. vat
10888005	1,0 mm	0,9 mm	4,8 mm	1,6 mm	1,25 mm	5 mtr	Black	€ 6,95/mtr
10888010	2,0 mm	0,9 mm	4,8 mm	1,6 mm	1,25 mm	5 mtr	Black	€ 9,95/mtr